

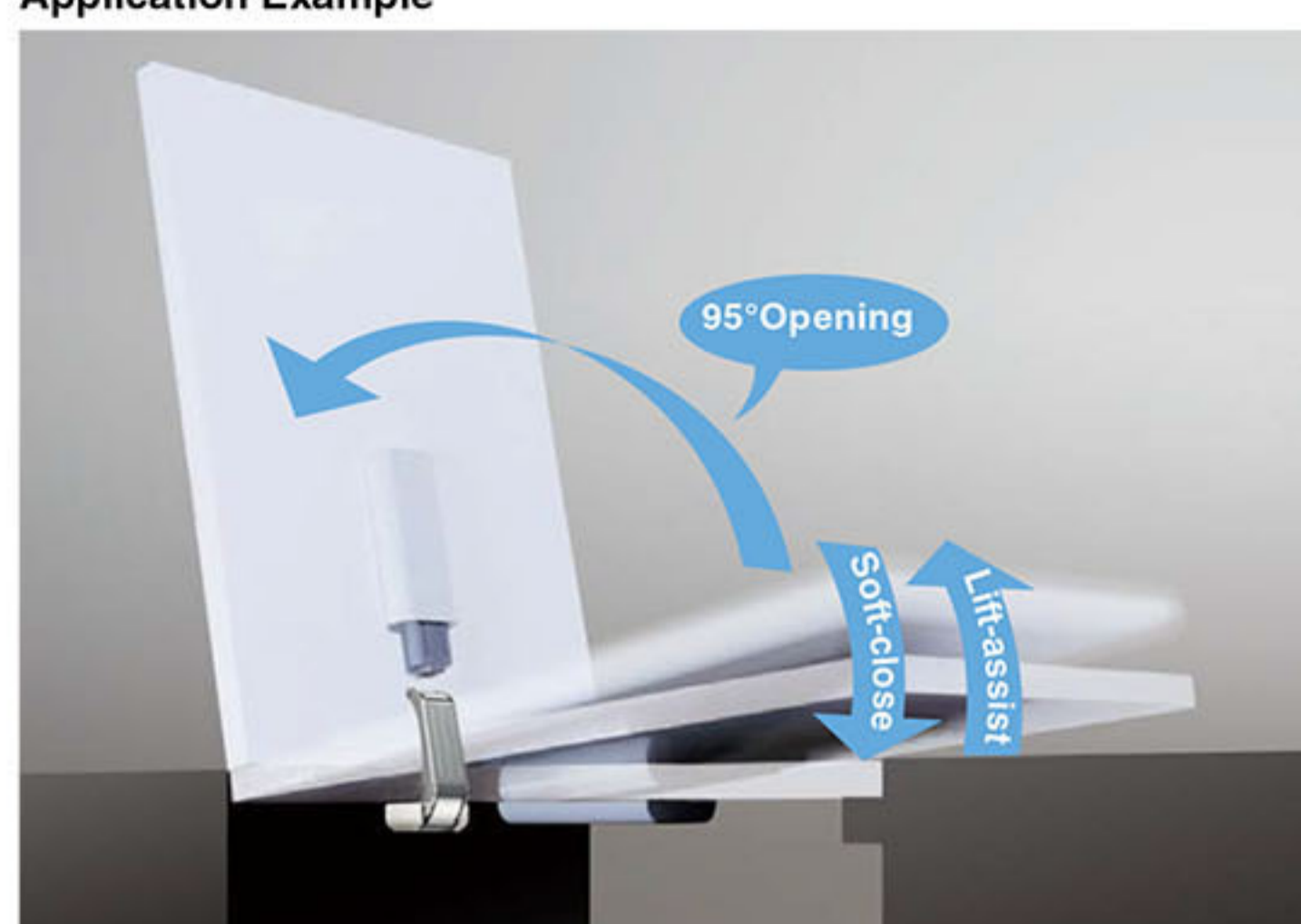
LIFT-ASSIST DAMPER (WITH STOPPER)



LAD-ST



Application Example



Opening Direction	Item Name	Description	Non-handed	Maximum Door Moment
Top-opening	LAD-ST-L	Lift-assist	Yes	8.0 - 10.5 N-m/pc (81.6 - 107.1 kgf-cm/pc)
	LAD-ST-M	Lift-assist		10.5 - 13.5 N-m/pc (107.1 - 137.7 kgf-cm/pc)
	LAD-ST-H	Soft-close		13.5 - 16.0 N-m/pc (137.7 - 163.2 kgf-cm/pc)

Features

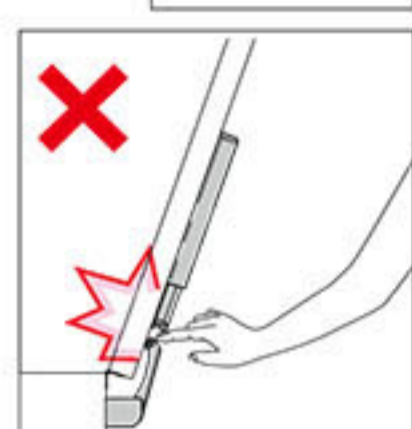
- Ideal solution for counter flaps at bars, restaurants, and reception counters.
- Smooth and soft close movement near closing radius prevents flaps from slamming. Damper function works even if the flap is only opened slightly.
- Lift-assist mechanism with light opening.
- Stops flap at 95° opening with stopper.
- Suitable for flap thickness of 15 - 40 mm.
- Can be attached to already installed counters without extra processing.
- Installation position can be easily determined with the supplied template.

Specifications

Operating temperature: 0°C - 40°C

Remarks

- Make sure to have sufficient hinge strength and board material strength at the side from which the flap is suspended (rotates).
- Cannot use more than two sets on a single flap.
- While open, the flap is not held firmly in position.
- Use a single axis hinge on the suspended (rotating) side of the flap. Another possibility is to use the R series concealed hinges for combined use.
- Do not use kitchen concealed hinges.
- Closed flap will not be held in place with this product alone. Please install some type of catch on the side of the flap that lifts up.
- Do not use more force than is necessary to open or close the flap.
- Ensure that the distance from mounting surface of damper unit and stopper to flap surface is 15 - 40 mm (see drawing).
- Be careful not to get fingers caught between arm unit and damper unit.
- Do not use in combination with spacer LAD-DP (for thick door) and bracket for back mount LAD-BKT (for horizontal installation).

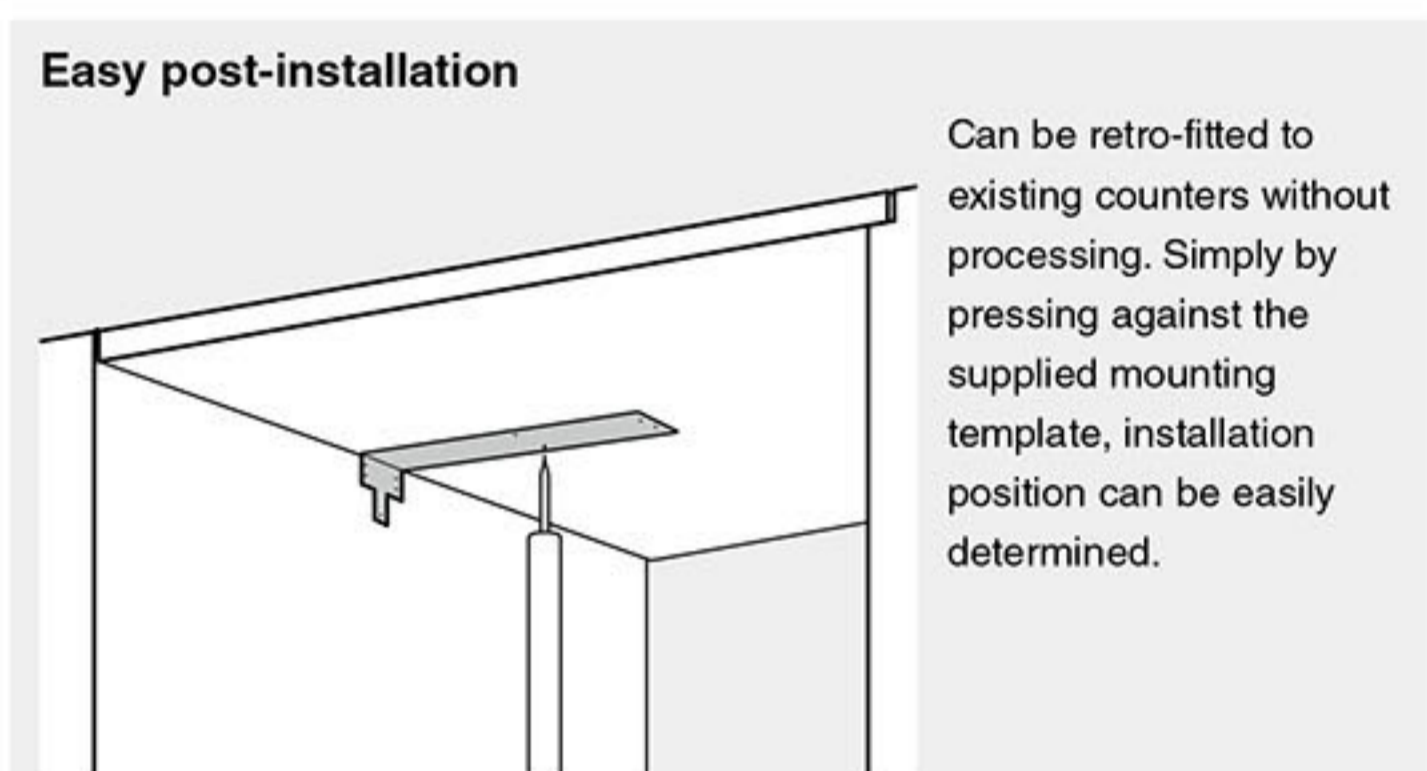
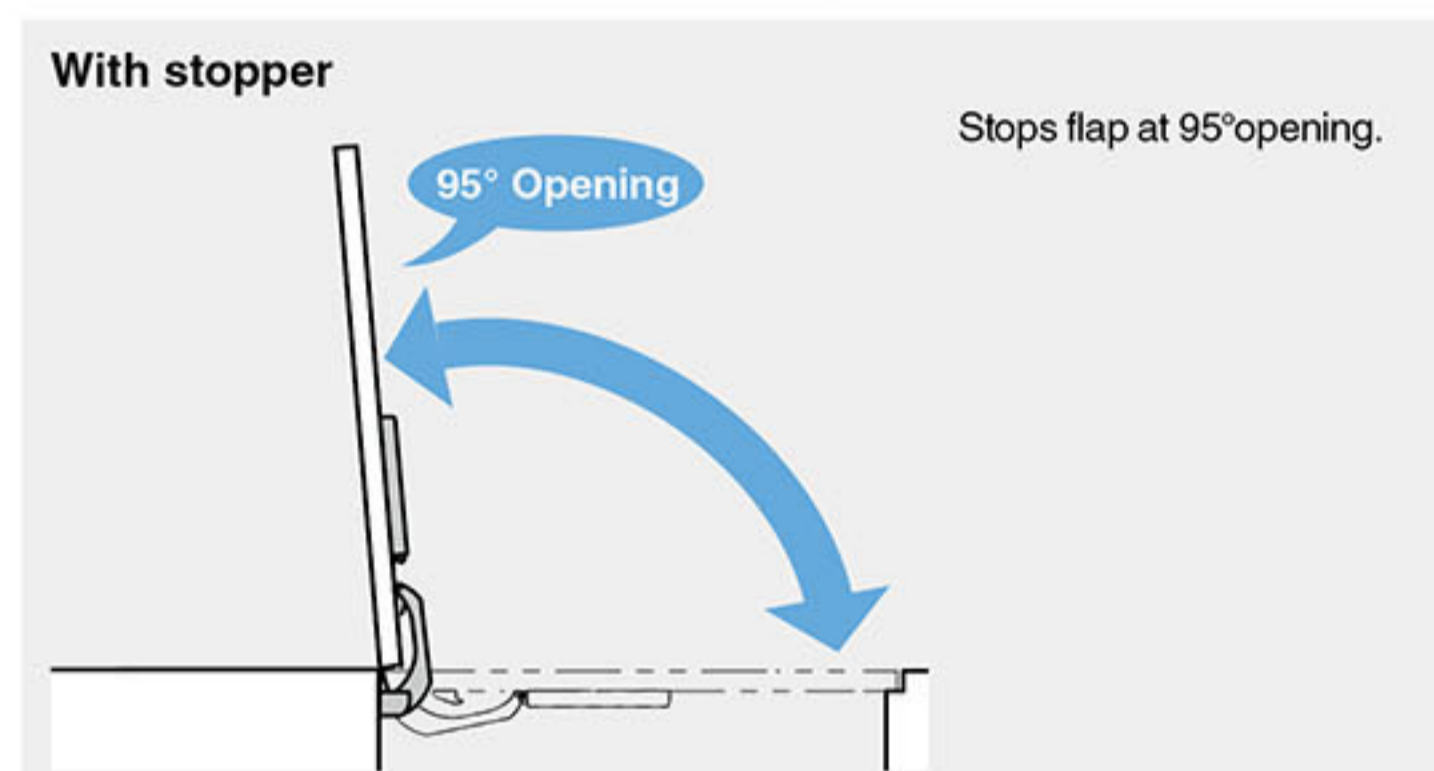
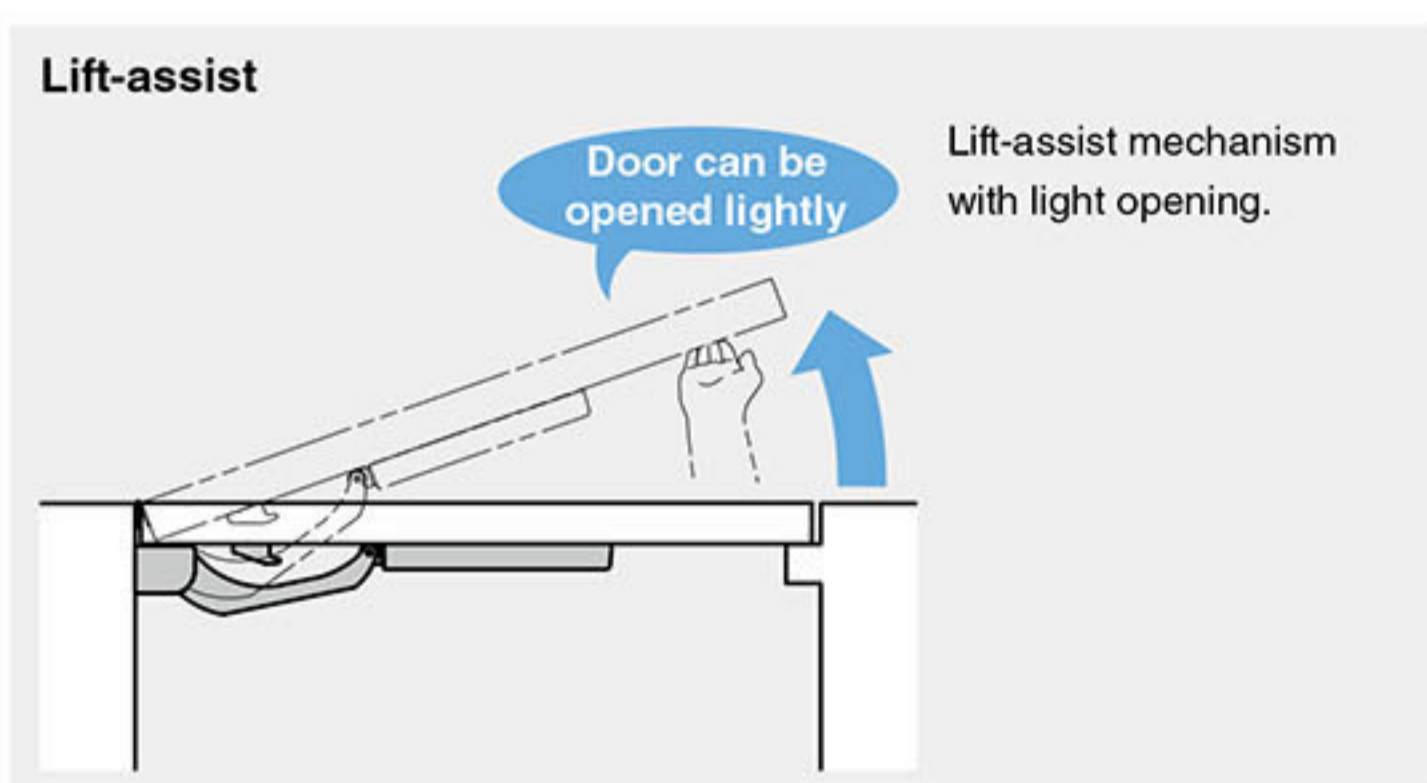
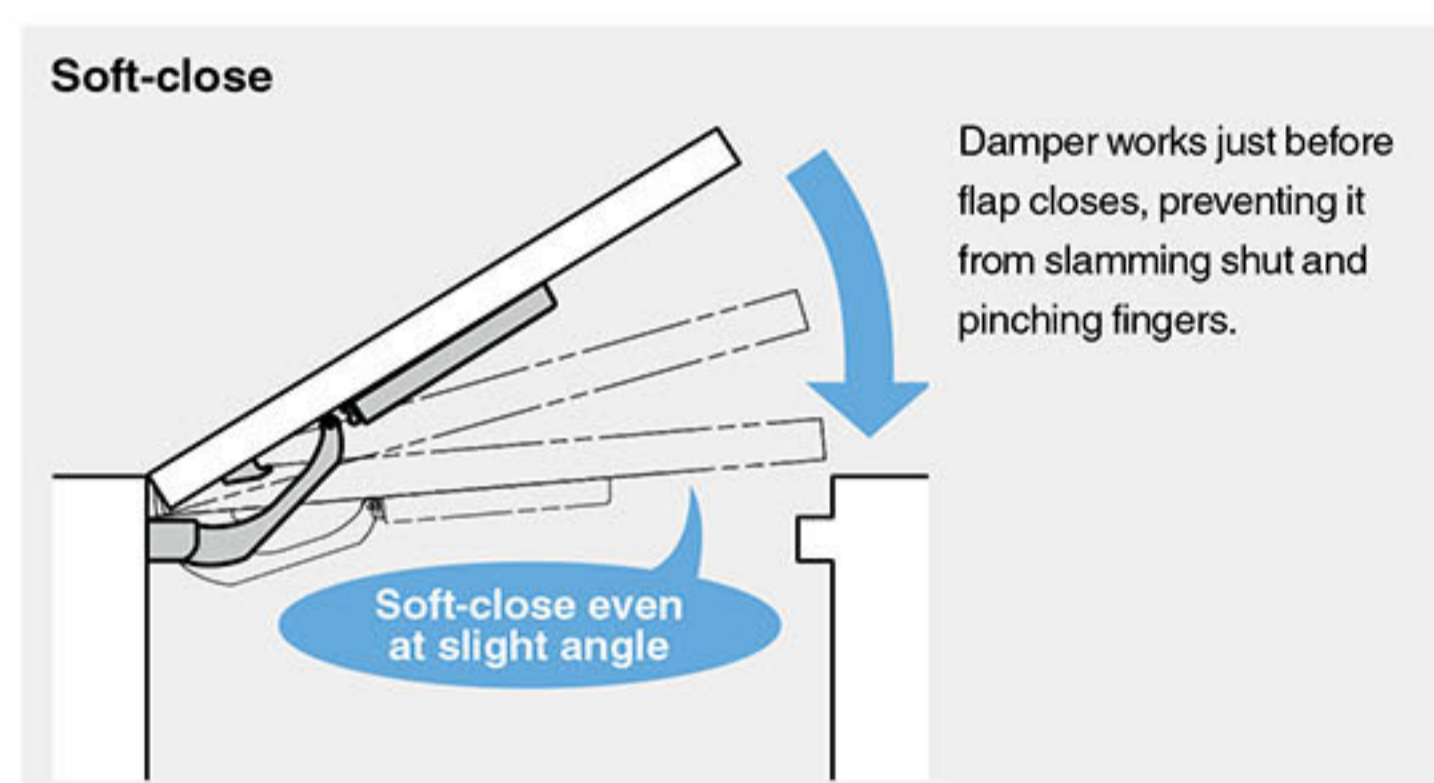


Parts Included

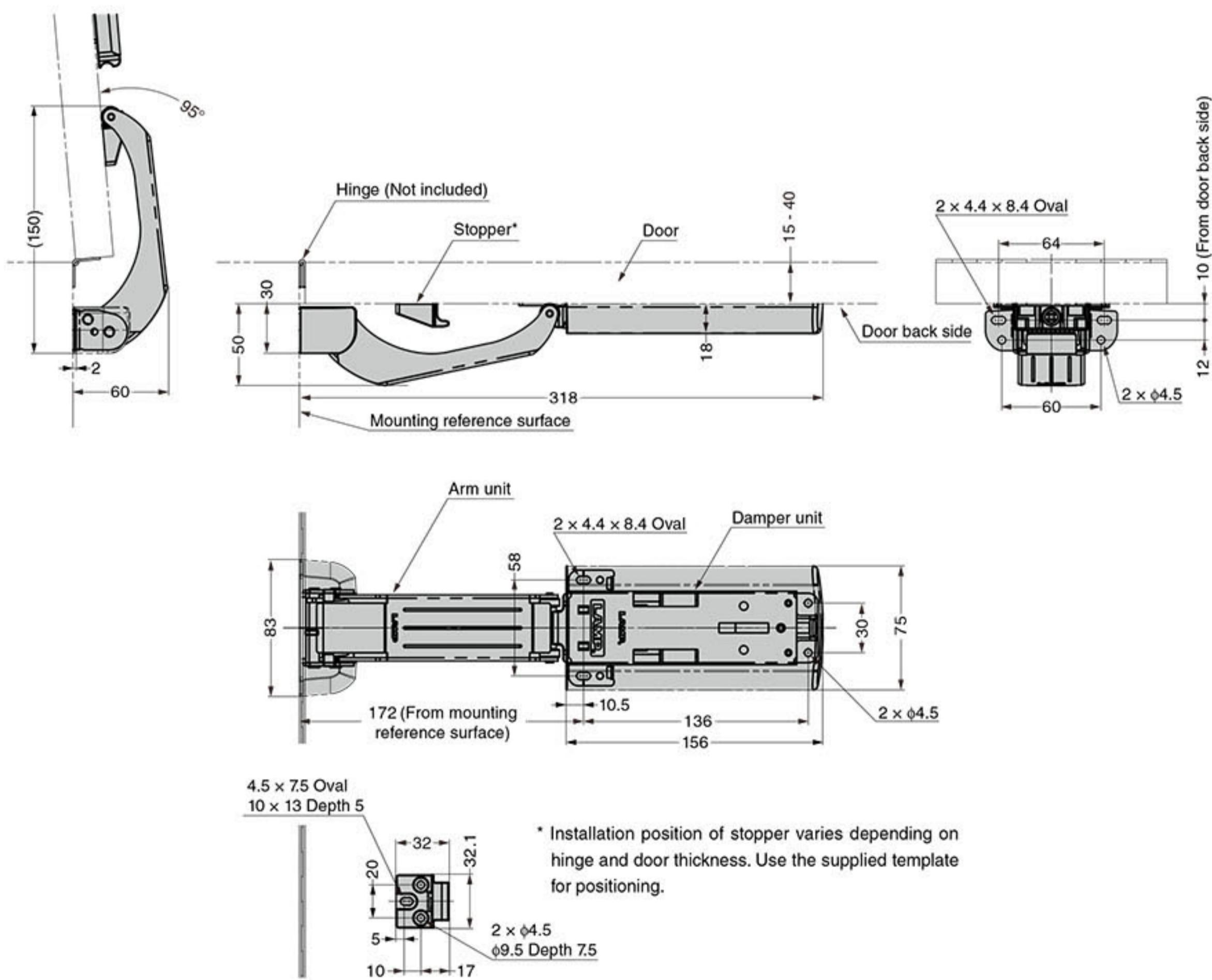
- Binding head tapping screw 4 x 16
- Template for positioning

LID SUPPORTS

LIFT-ASSIST DAMPER (WITH STOPPER)

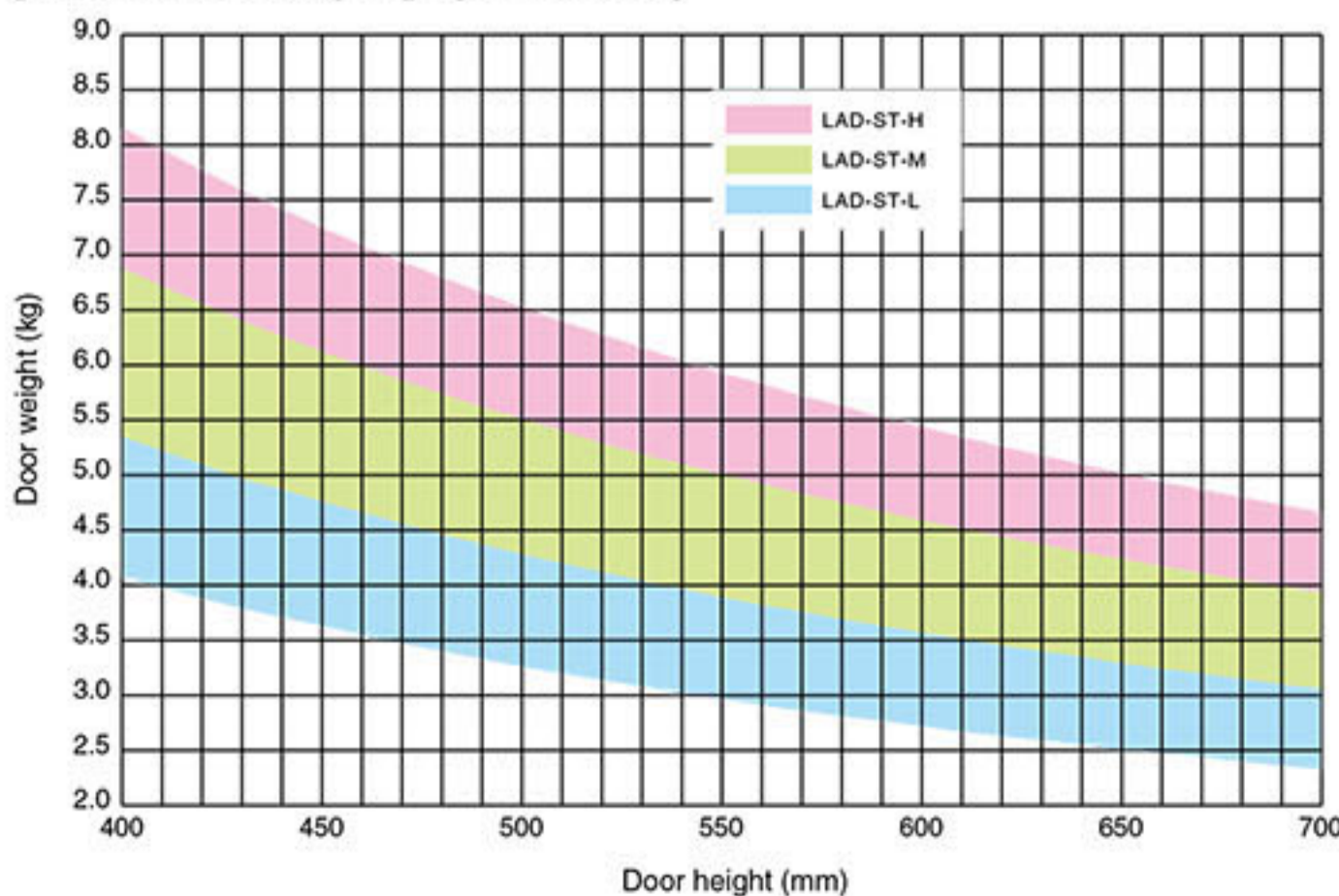


Updated 2019.01.23



* Installation position of stopper varies depending on hinge and door thickness. Use the supplied template for positioning.

[Door Size Ranges] 1pc use only



Refer to the left graph as a guide for model selection. When using a door with size not given here, calculate the door moment as follows. Door weight includes attached decorations.

Maximum Door Moment (N-m)
= Door weight (kg) × 9.80665 × Distance from rotation centre to door centre of gravity (m)

CAD	Item Code	Item Name	Material	Finish	Maximum Door Moment N-m/pc	Maximum Door Moment kgf-cm/pc	Recommended Thickness (mm)	Weight (g)	Box (pcs)	Carton (pcs)
	170-033-213	LAD-ST-L	ABS/POM	Zinc Chromate/	8.0 - 10.5	81.6 - 107.1	15 - 40	750	1	10
	170-033-214	LAD-ST-M	Steel/Zinc	Nickel Chrome/	10.5 - 13.5	107.1 - 137.7				
	170-033-215	LAD-ST-H	Alloy (ZDC)	Nickel	13.5 - 16.0	137.7 - 163.2				

LID SUPPORTS

LIFT-ASSIST DAMPER (WITH STOPPER)

